

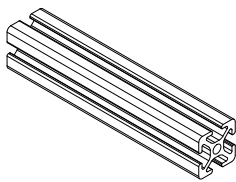

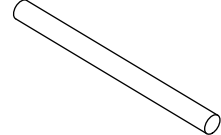
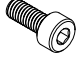
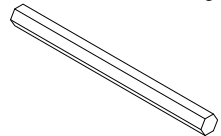
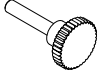
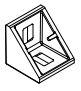
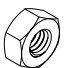
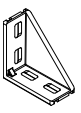

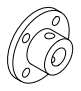

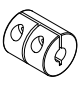



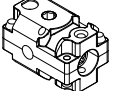

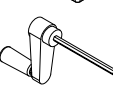
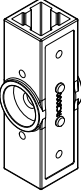

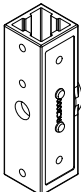
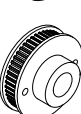


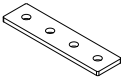

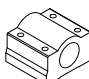
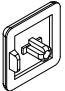

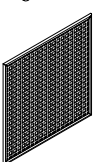
ROTOTYP

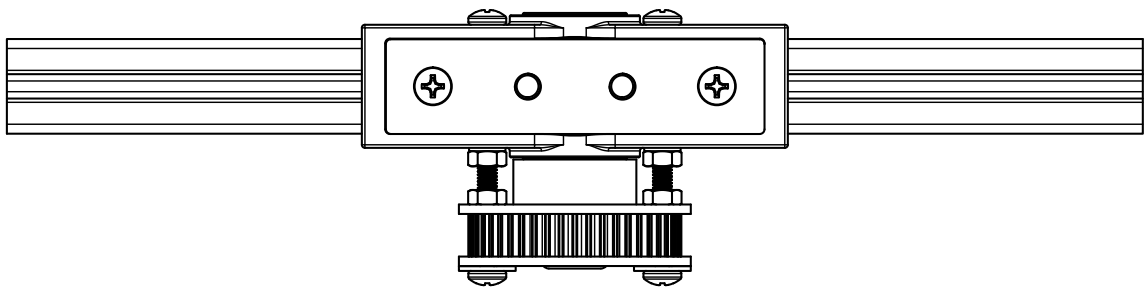
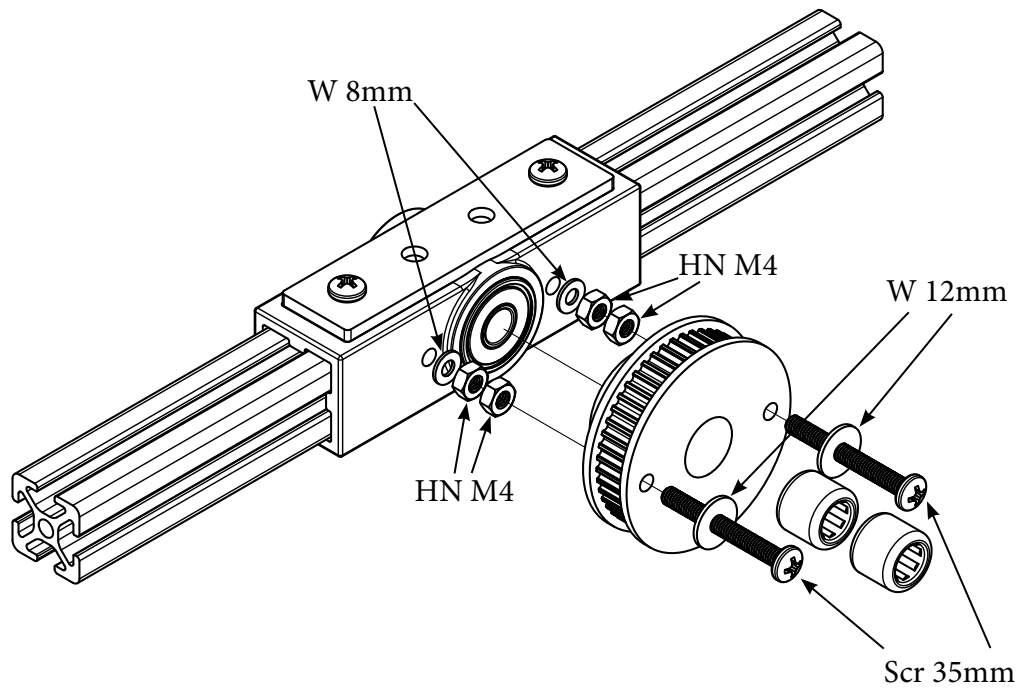
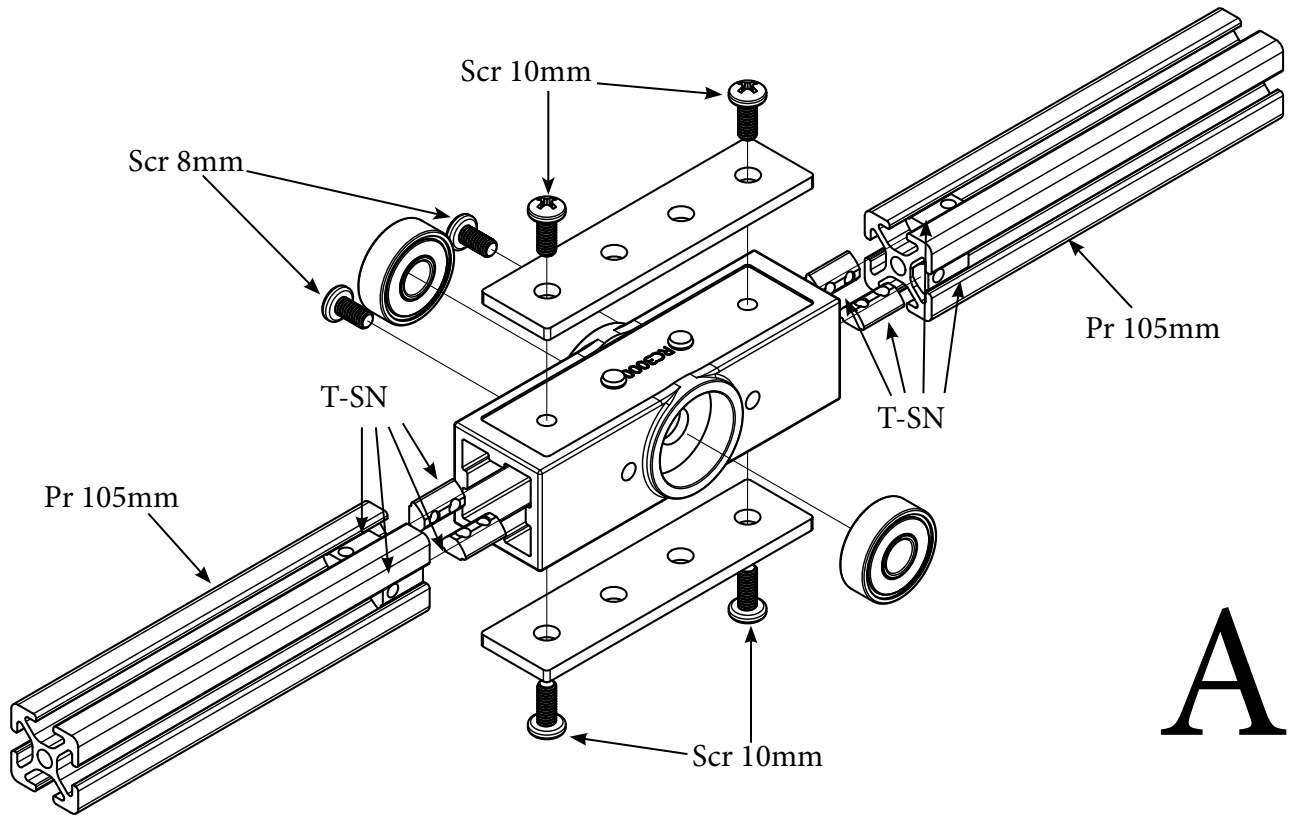
RC300 | CONSTRUCTION GUIDE

<http://rototyp.fannymation.de>

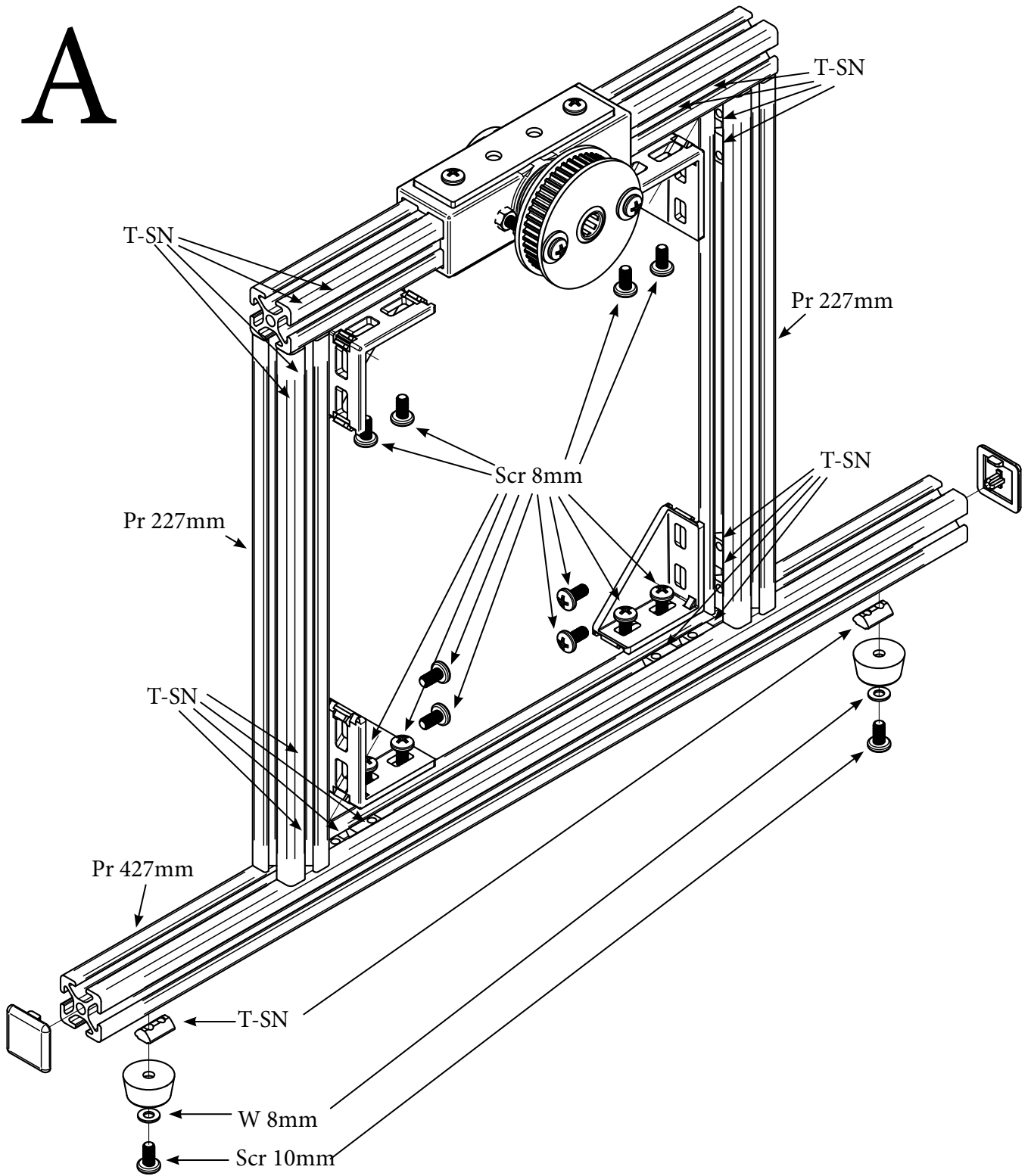
contact: rototyp@fannymation.de

ROTOTYP | RC300 Parts List

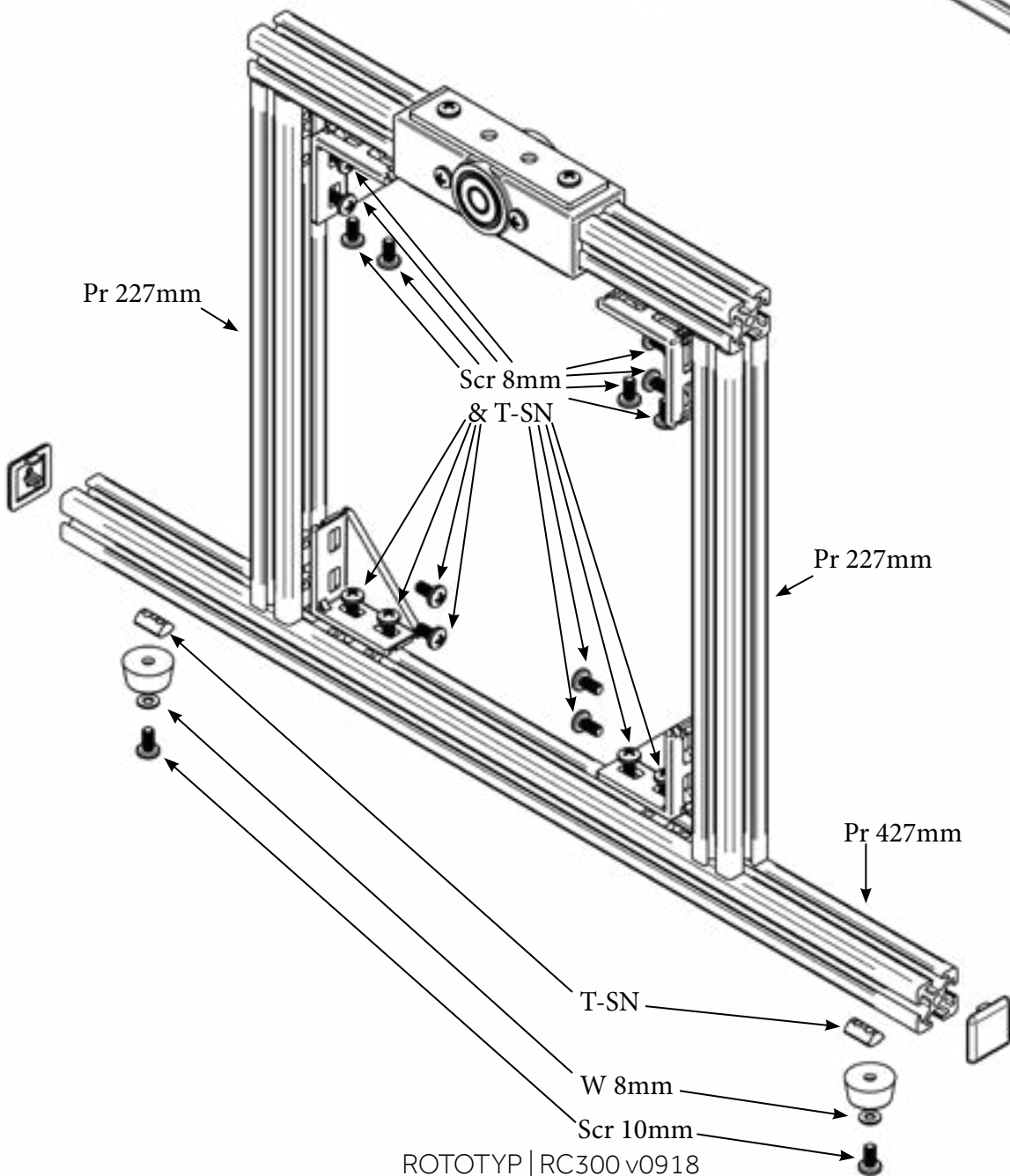
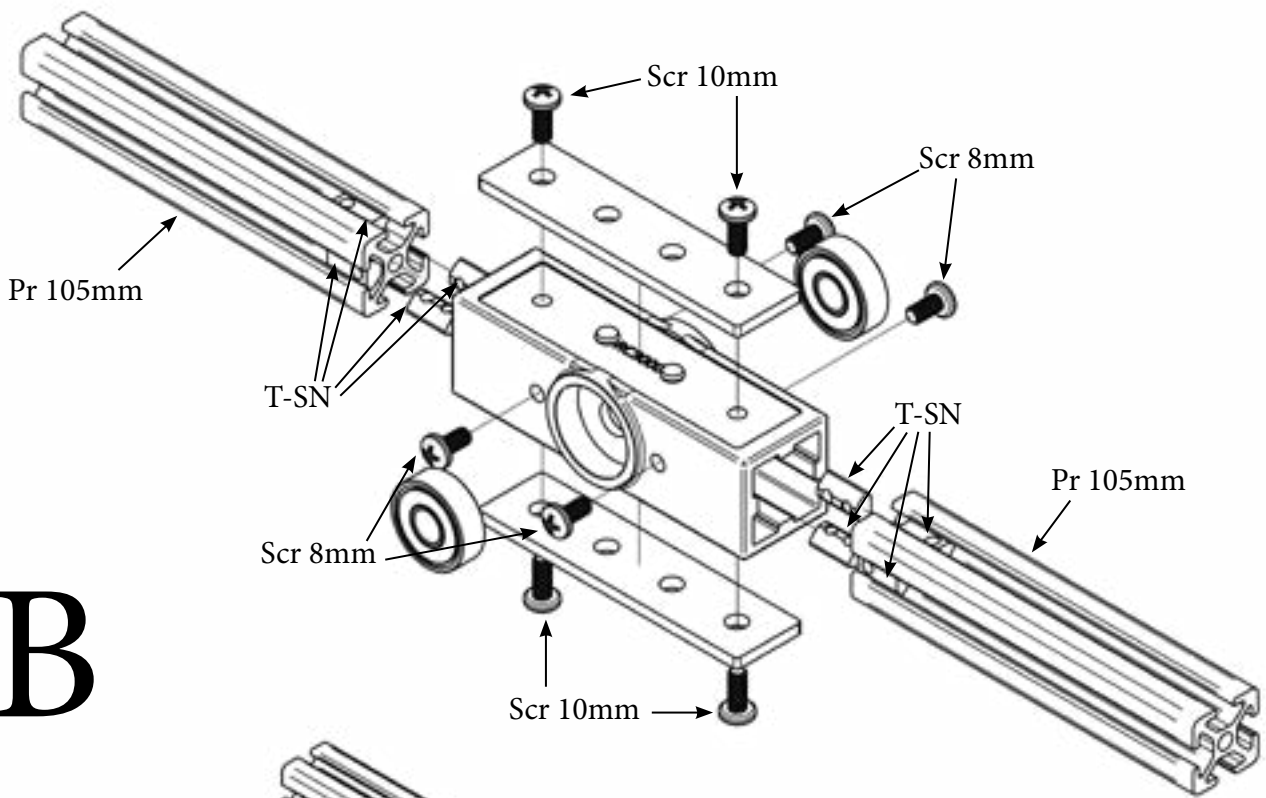
	<p>4x Pr 105mm - Slot Profile 105mm 4x Pr 135mm - Slot Profile 135mm 4x Pr 160mm - Slot Profile 160mm 4x Pr 180mm - Slot Profile 180mm 4x Pr 227mm - Slot Profile 227mm 2x Pr 260mm - Slot Profile 260mm 2x Pr 427mm - Slot Profile 427mm 2x Pr 446mm - Slot Profile 446mm</p>	<p>104x Scr 8mm - Srew Phillips 8mm 36x Scr 10mm - Srew Phillips 10mm 8x Scr 12mm - Srew Phillips 12mm 10x Scr 30mm - Srew Phillips 30mm 2x Scr 35mm - Srew Phillips 35mm 1x Scr 40mm - Srew Phillips 40mm</p>	
	<p>1x RA 94mm - Shaft Round 94mm 1x RA 102mm - Shaft Round 102mm 1x RA 111mm - Shaft Round 111mm 1x RA 132mm - Shaft Round 132mm</p>	<p>4x ScrHex 10mm - Screw Hex-head 10mm</p>	
	<p>1x SCA 79mm - Shaft Hexagonal 97mm 1x SCA 111mm - Shaft Hexagonal 111mm</p>	<p>1x KHScr 20mm - Knurled-head Screw 20mm</p>	
	<p>4x BrS - Bracket 20x20</p>	<p>32x HN M4 - Hexnut</p>	
	<p>16x BrB - Bracket 20x40</p>	<p>154x T-SN - T-Slot Nut</p>	
	<p>2x FC - Flange Clutch</p>	<p>12x W 8mm - Washer 8mm 36x W 12mm - Washer 12mm 8x W 18mm - Washer 18mm 3x W 24mm - Washer 24mm 1x W 30mm - Washer 30mm 2x W 67mm - Washer 67mm</p>	
	<p>2x SC - Shaft Clutch</p>	<p>4x NRB - Needle Roller Bearing</p>	
	<p>8x ASR - Adjusting Stop Ring</p>	<p>11x ABB - Axial Ball Bearing</p>	
	<p>1x GB - Gearbox</p>	<p>13x BB - Ball Bearing</p>	
	<p>1x Cr - Hand Crank</p>	<p>5x Cn01 - Connector Type 01</p>	
	<p>1x P1 - Pully 01</p>	<p>1x Cn02 - Connector Type 02</p>	
	<p>1x P2 - Pully 02 with Drill Holes</p>	<p>2x Cn03 - Connector Type 03</p>	
	<p>1x PB - Pully Belt</p>	<p>16x CP - Connector Plate 20x80</p>	
	<p>4x RF - Rubber Foot</p>	<p>1x SH - SC8UU</p>	
	<p>4x CC - Slot Profile Cover Cap</p>	<p>1x Ad - SH Adapter</p>	
	<p>1x BP - Perforated Back Plate 30x30</p>		

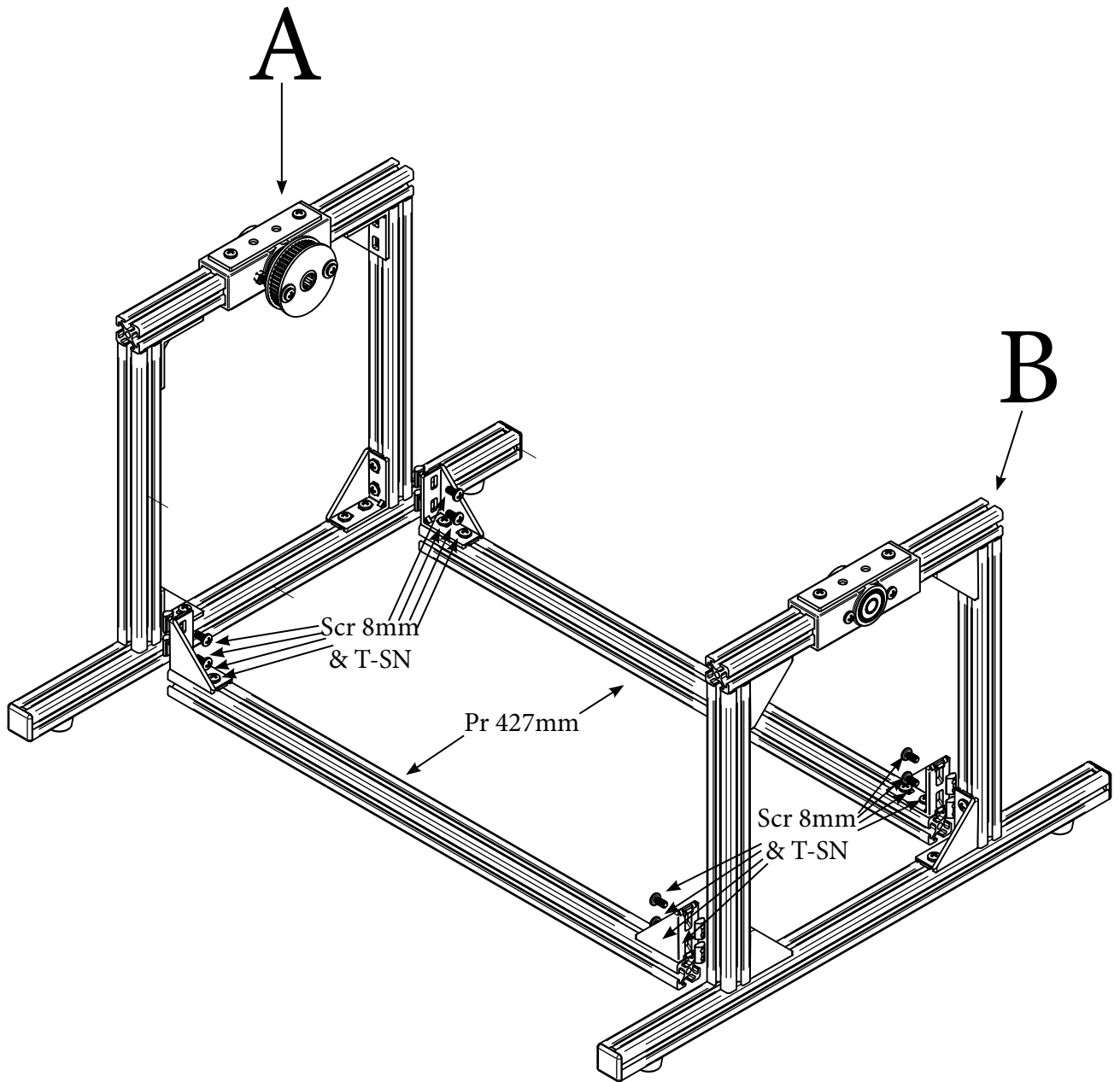


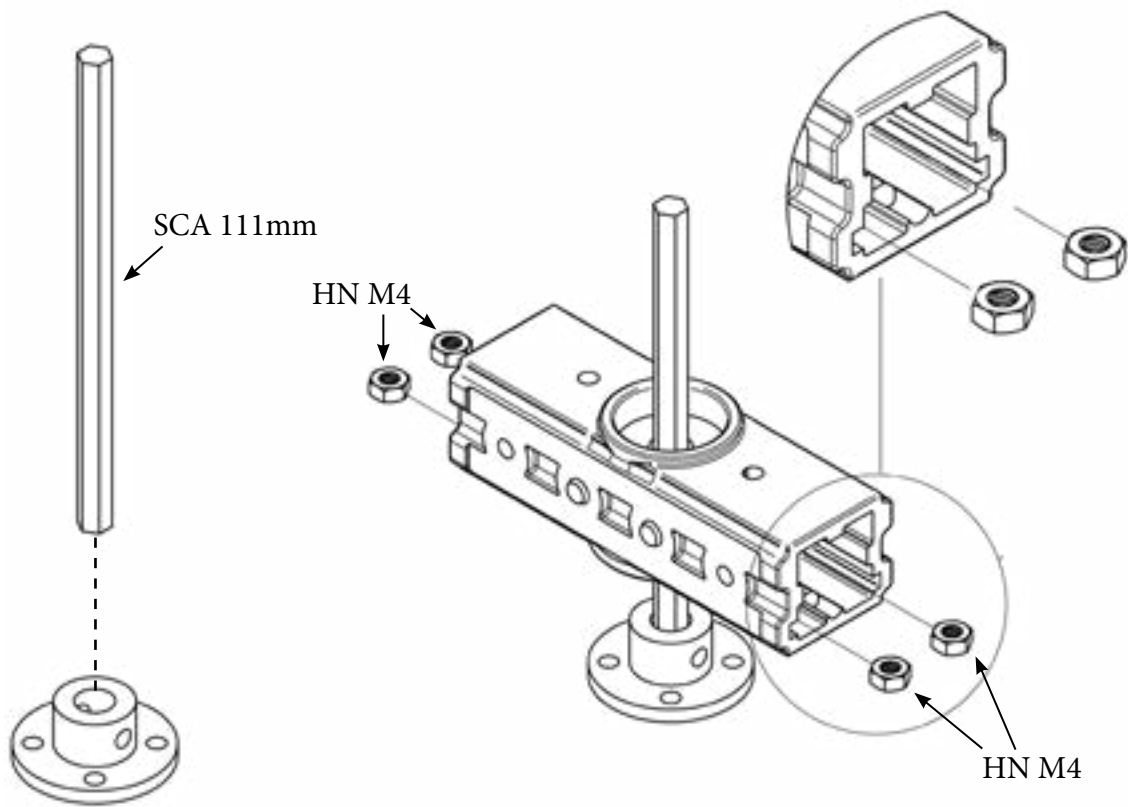
A



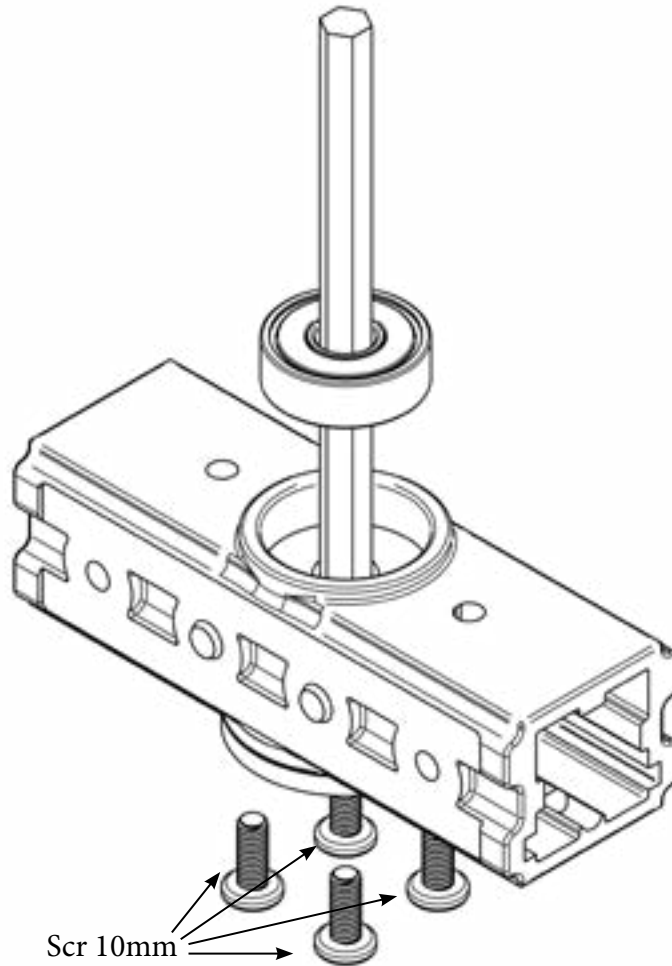
B

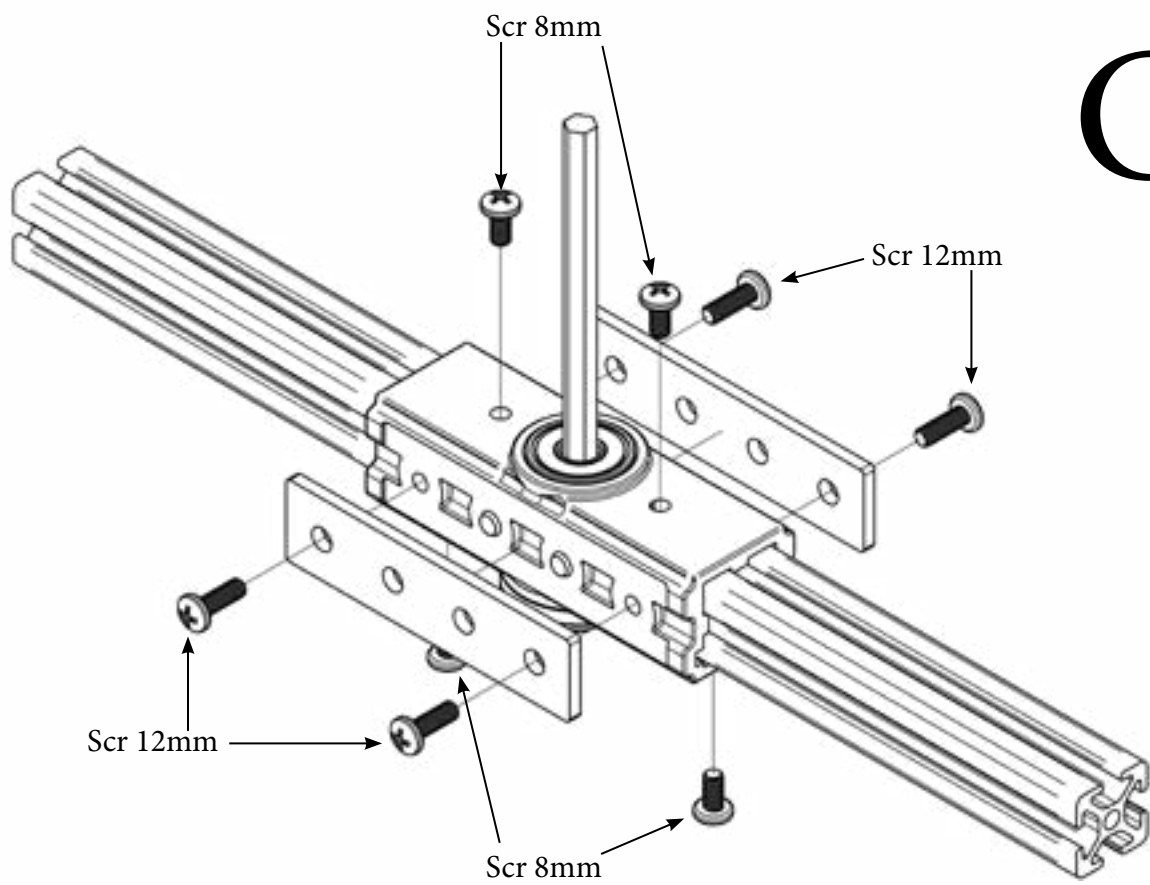
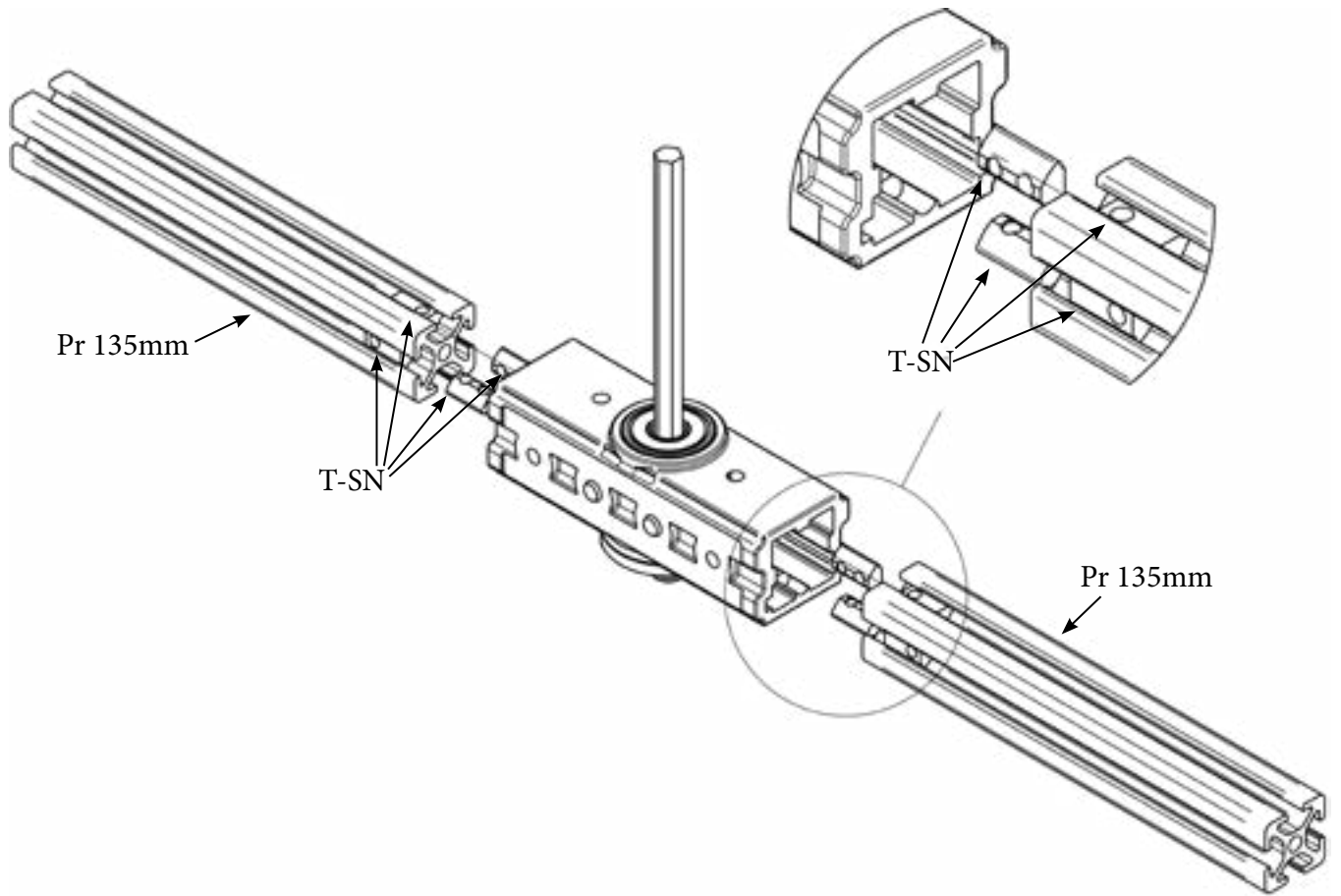




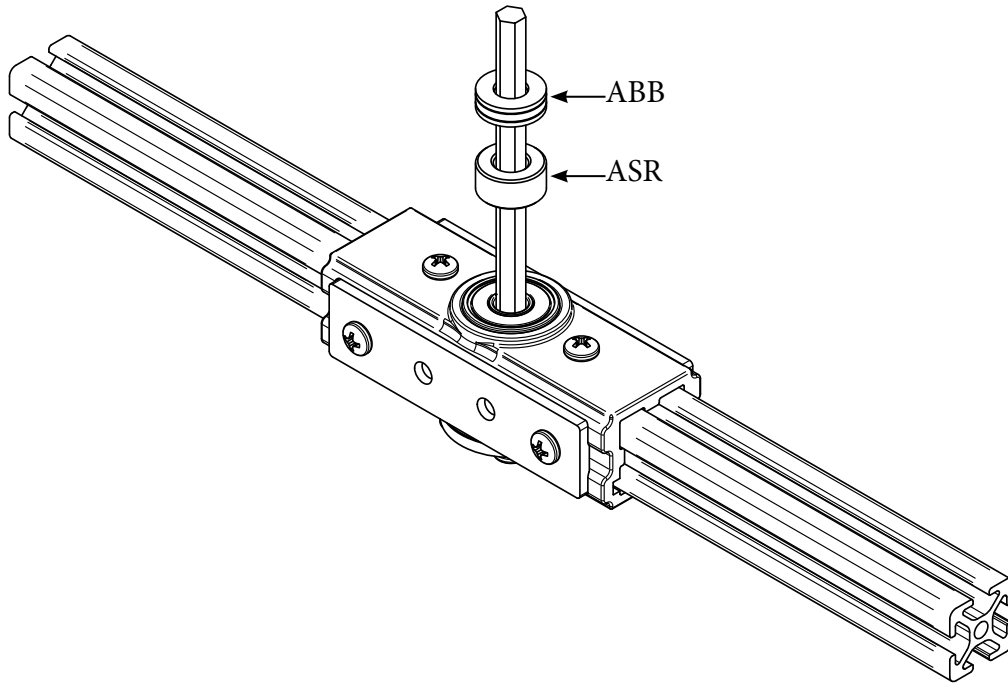


C

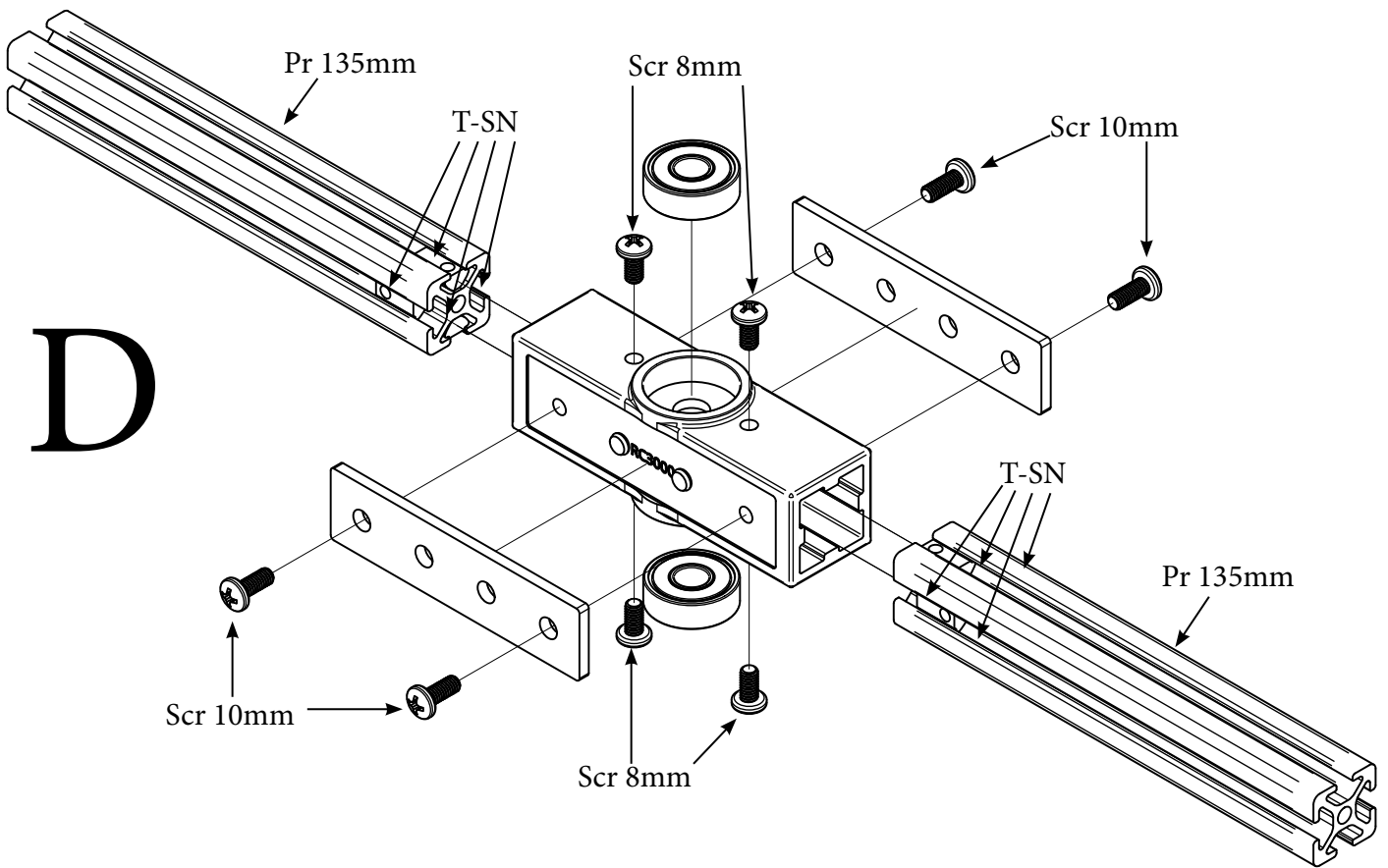


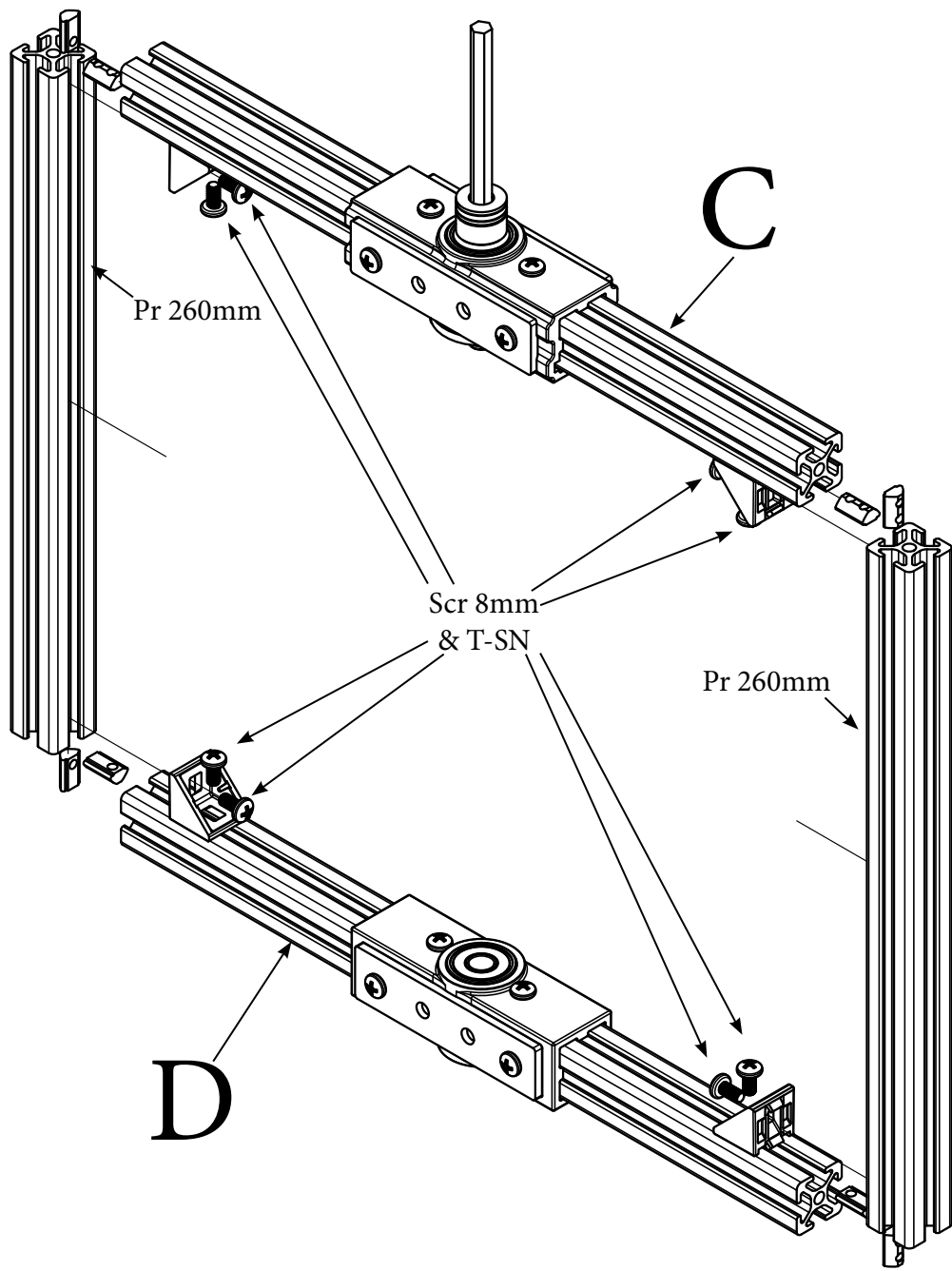


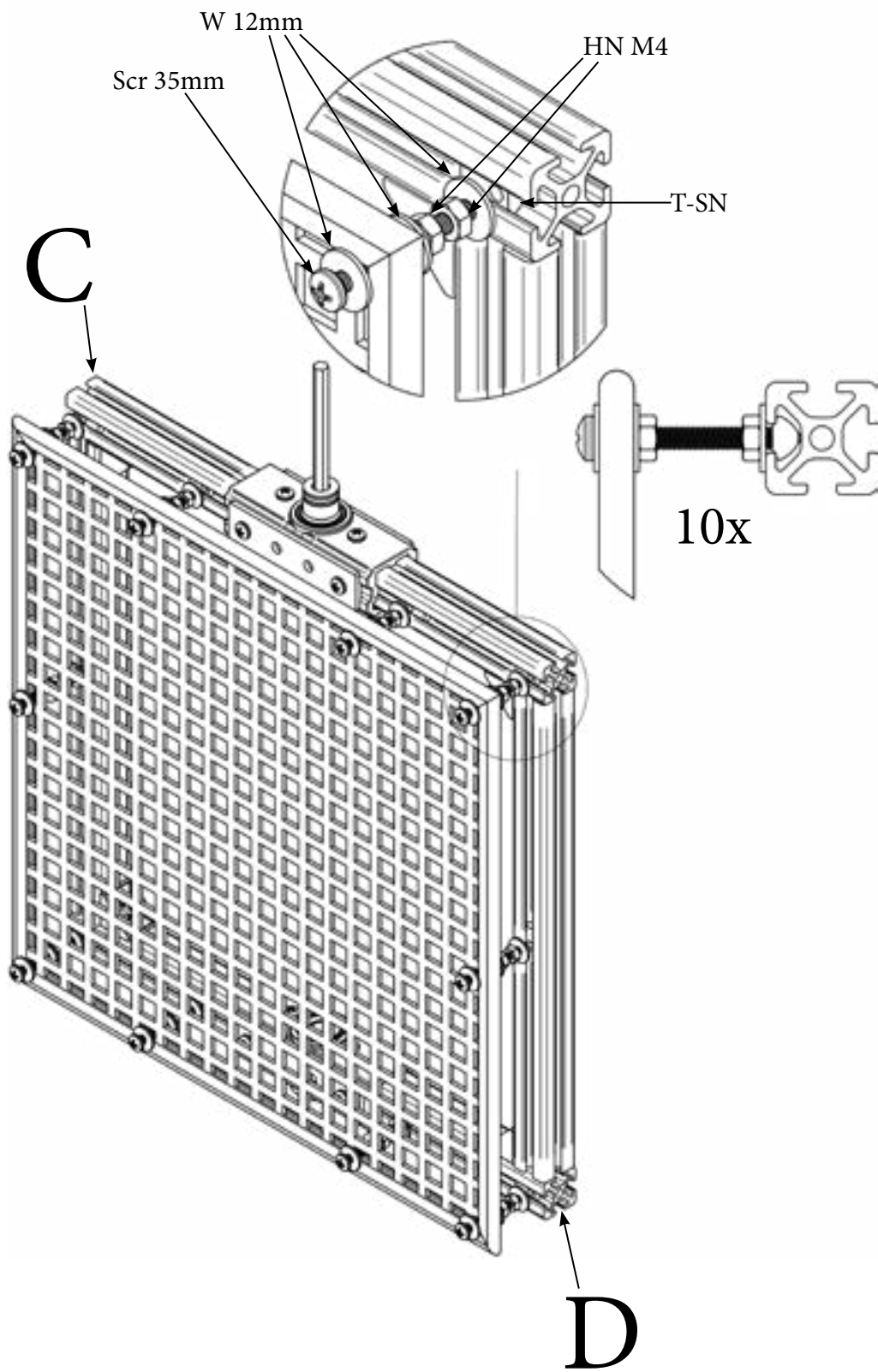
C

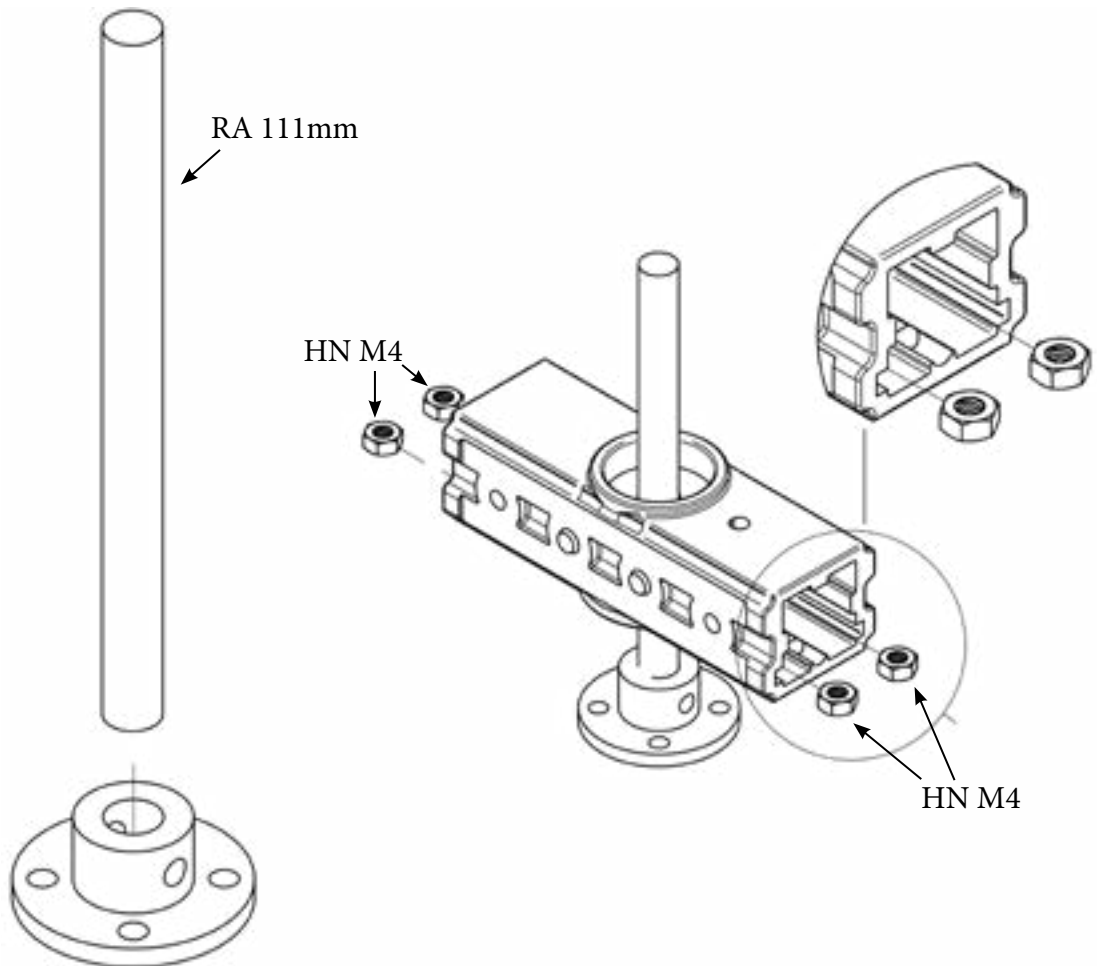


D









E

